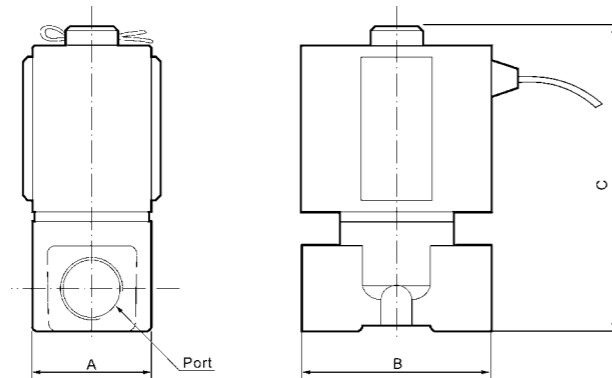
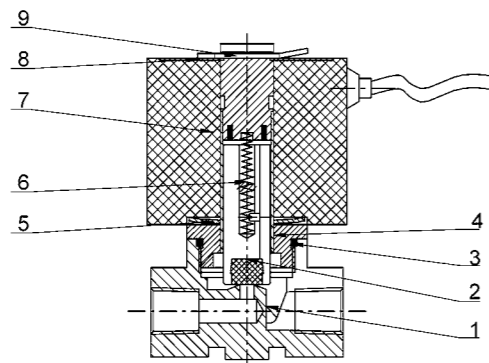


外形尺寸/Overall Dimension



型号 Model	口径/Bore	A	B	C
VX2120-06	1/8"	26	40	66
VX2120-08	1/4"	26	40	66
VX2120-10	3/8"	40	48	78
VX2120-10A	3/8"	47	66	88
VX2120-15	1/2"	47	66	88

内部结构/Inner Structure



序号 NO.	代号/Code	名称/Name	数量/Number	材料/Material
1	VX2120-06-01	阀体 Body of Valve	1	HPb59-1
2	VX2120-06-02	动铁芯总成 Assembly Of Iron Core	1	
3	VX2120-06-03	O形密封圈 O-ring	1	PTFE
4	VX2120-06-04	先导头总成 Assembly Of Iron Core	1	
5	VX2120-06-05	弹叠	1	ICr18Ni9Ti
6	VX2120-06-06	弹簧 Spring	1	ICr18Ni9Ti
7	VX2120-06-07	线圈 Coil	1	
8	VX2120-06-08	铭牌 Name Plate	1	LY12
9	VX2120-06-09	卡簧	1	弹簧钢



VX3121-08

VX31 - 15 - 06 - E - AC220V

规格代码 Specification Code

VX31: 常闭型(NC) Normal Close

VX32: 常开型(NO) Normal Open

VX33: 通用型 Universal-type

流量孔径 Orifice Size

15: 1.5mm

20: 2.0mm

25: 2.5mm

30: 3.0mm

40: 4.0mm

接管口径 Joint Pipe Bore

06: G1/8"

08: G1/4"

油封材质 Sealing Material

空白:丁腈橡胶 Blank: NBR

E:三元乙丙橡胶 EPDM

V: 氟橡胶 VITON

S: 硅胶 SI

标准电压 Standard Voltage

DC12V

DC24V

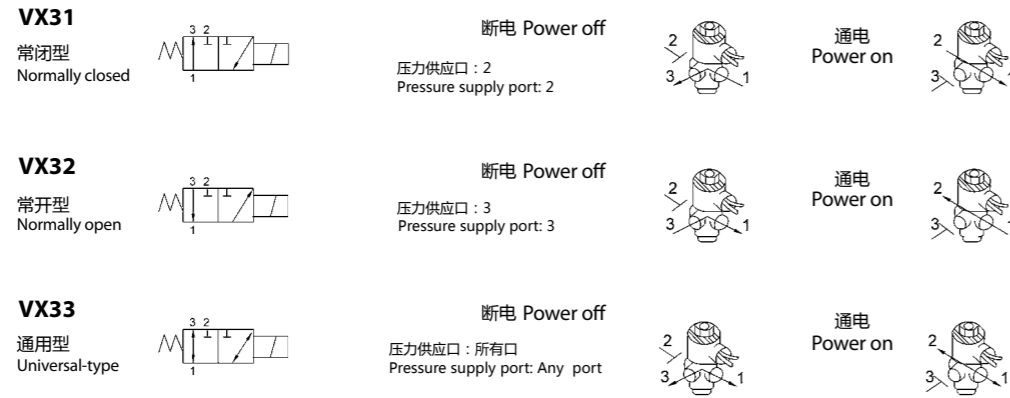
AC24V 50/60Hz

AC110V 50/60Hz

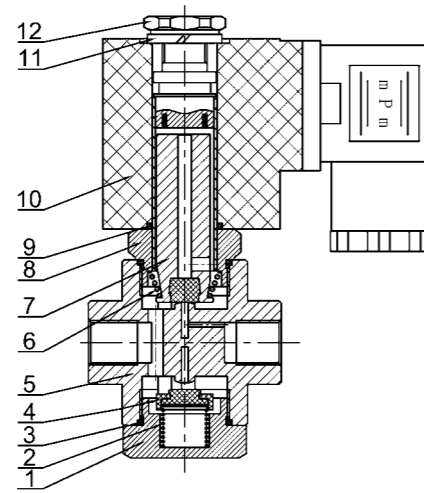
AC220V 50/60Hz

AC380V 50/60Hz

工作原理图 Working Theory Chart



内部结构/Inner Structure



序号 NO.	代号/Code	名称/Name	数量/Number	材料/Material	备注/Memo
1	VX31-20-06-01	铜螺帽 Brass Nut	1	HPb59-1	
2	VX31-20-06-02	弹簧 Spring	1	1Cr18Ni9Ti	0.6×10.3×17.5×6
3	VX31-20-06-03	O型密封圈 O-ring	2	NBR	21×1.6
4	VX31-20-06.01	塑料件总成 Assembly Of Plastic	1		
5	VX31-20-06-04	阀体 Body of Valve	1	HPb59-1	
6	VX31-20-06-05	宝塔弹簧 Spring	1	1Cr18Ni9Ti	1×13×16.2×18×4
7	VX31-20-06.02	动铁芯总成 Assembly Of Iron Core	1		
8	VX31-20-06.03	先导头总成 Assembly Of Iron Core	1		
9	VX31-20-06-07	O型圈 O-ring	1	NBR	18×1.9
10	VX31-20-06-08	线圈 Coil	1		
11	GB859-87	轻型弹垫 Gasket	1	65Mn	Φ10
12	VX32-20-06-09	拼紧螺母 Nut	1	A3	

技术参数 Specification

型号 Model	VX31					VX32					VX33					
流量孔径 (mm) Aperture of Flow Rate	1.5	2.0	2.5	3.0	4.0	1.5	2.0	2.5	3.0	4.0	1.5	2.0	2.5	3.0	4.0	
CV值 CV Value	0.07	0.14	0.21	0.25	0.35	0.07	0.14	0.21	0.25	0.35	0.07	0.14	0.21	0.25	0.35	
接管口径 Joint Pipe Bore	G1/8" 或 (or) G1/4"															
工作压力 Working-pressure (kgf/cm ²)	AC	13	11	9	6	3.5	13	11	9	6	3.5	7	5	4	2.5	1.7
	DC	11	9	7	4	2	11	9	7	4	2	5	4	3	2	0.8
介质温度 Operating Temperature	NBR:-5~85°C;					EPDM:-5~150°C;					VITON:-10~150°C					
本体材质 Body Material	黄铜 Brass															

外形尺寸/Oevrral Dimension

